

## Technical Information

No. DO 5259

Edition: 07/08 subject to change

supersedes: 09/04

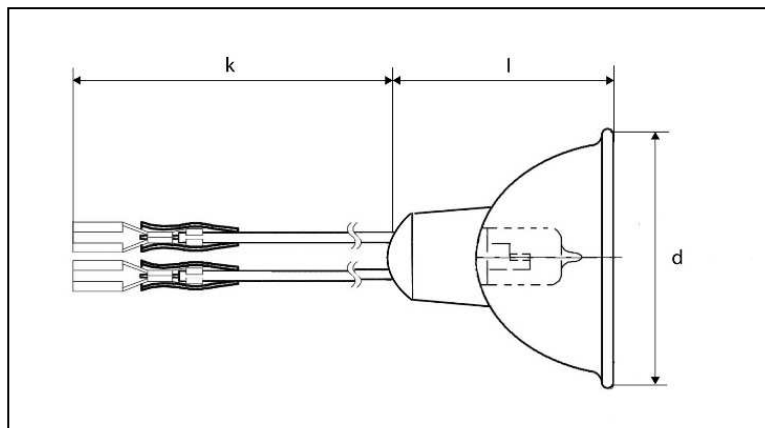
Status: valid

Halogen Reflector Lamp  
for Airfield Lighting



# 64331 FL-A/AC

### ■ Product description

The OSRAM 64331 FL-A/AC is a tungsten halogen lamp for taxiway centre line lighting.



### ■ Technical data

Order reference	64331 FL <sup>1</sup> -A/AC 30-10		
ANSI	-		
Maximum operation current	A	6.6	
Connector	 A	female <sup>2</sup>	
	 C	male <sup>3</sup>	
Rated lamp wattage	W	30	
Maximum initial wattage	W	32	
Average life	h	1,000	
Color temperature	K	3,200	
Axial luminous intensity	cd	4,300	
Minimum axial luminous intensity	cd	4,000	
Axial luminous intensity after 750 h	cd	min. 75% of initial value	
Reflector type	MR 16 flood reflector		
Reflector diameter (d)	mm	max. 50.4	
Length (l)	mm	max. 48.0	
Cable length (k)	mm	min. 125	

### ■ Lamp operation

Burning position	horizontal		
Maximum pinch temperature	°C	350	
Chromaticity	within white boundaries as defined in Annex 14 to the Convention of International Civil Aviation		

<sup>1</sup> With flood reflector

<sup>2</sup> Female connector A complies with DIN 46247

<sup>3</sup> Male connector C complies with DIN 46248